



ARISER[®]
Com**FACT**[™]

**ARISE
ABOVE
ALL**

Indian manufacturer of
High Precision
Rings spinning drafting
Compact System



INDO - TAIWAN TECHNOLOGY

ULTRA Precision for PREMIUM Yarn



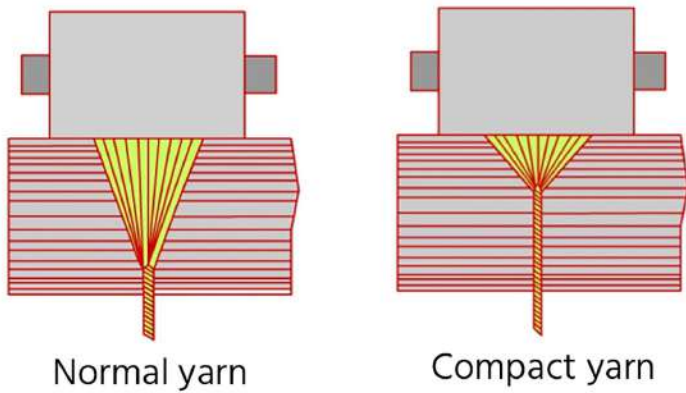
Mecgrowths join hands with a famous Taiwan company and have a great pleasure to introduce Ultra Precision drafting system suitable for Ring frame.

INTRODUCTION

The Ariser CompactSet **ARISER[®] ComFACT[™]** spinning system is designed to meet the most challenging demands that highend spinning mills make on a compact spinning system :

- User friendly
- Universal application
- Can be installed on almost all machine types
- Many optional features
- Optimum and sustained yarn quality
- High consistency of all yarn parameters
- Minimal variation between spinning positions
- No restrictions in regard to raw material and yarn Count

MILESTONES ACHIEVED IN ARISER COMFACT SPINNING

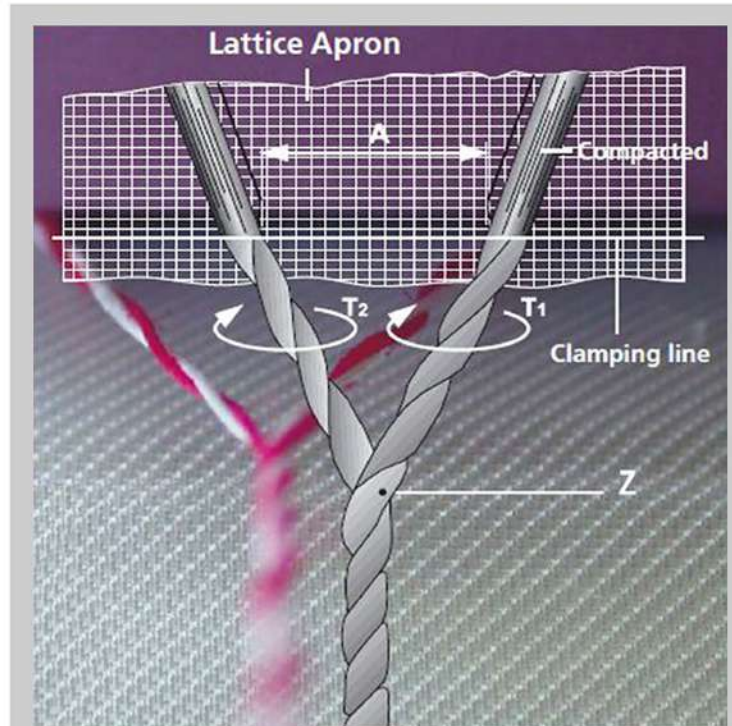


ARISER is a pioneer in the compact spinning technology, supported by a worldwide technological leader and a highly successful supplier of compact spinning systems.

Customers are free to choose their favourite basic machine for the **ARISER ComFACT** Modernization. ARISER experts install the Modernization Components on the preferred machine.

As a result of the technological competence and vision of many mill owners, the new spinning system was received with great enthusiasm.

Yarns provide revolutionary advantages in all yarn parameters and have already set new quality standards. Furthermore, they have proven to be cost effective in terms of spinning and downstream processing. This has ensured an unrivalled quality improvement not only in the yarn, but also particularly in the textile end product.



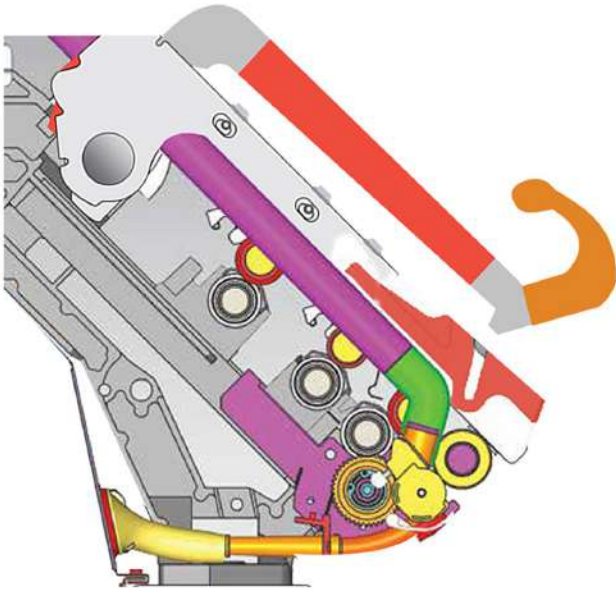
This development has been furthered through ARISER siro, which perfectly combines the fundamental principles of compact spinning and "Siro spinning". And in many respects, the wist Yarn spun on the ring spinning machine even outclasses two-ply yarn from the 2-for-1 twister.

The wide application range covers anything from bed sheets to shirts to T-shirts (not to mention many other products).

What is compact spinning?

The purpose of a genuine compact spinning process is to arrange the fibres in a completely parallel and close position before twist is imparted. This is the most important criterion for perfect compact yarn.

The eliminated spinning triangle is a by-product of this concept. This close and parallel arrangement of fibres immediately before twist is imparted is responsible for the characteristic advantages of compact yarn.



ARISER[®] ComFACT[™] plus

ADVANTAGES OF ARISER[®] ComFACT[™]

1. Lowest in investment Cost – So Quick pay back
Less **than 6 months**
2. Lowest Maintenance cost – So Less recurring cost.
Less than Rs. 20/per spindle/ Year
3. Adopted with latest developments – For better performance and Quality than competitors
4. Better after sales and service – Better relationship

We, Mecgrowths understand the above points clearly and proudly introduce our ARISER[®] ComFACT[™] spinning system which comes in two categories.

1. ARISER[®] ComFACT[™] system – For the Existing Pneumatic top arm
2. ARISER[®] ComFACT[™] PLUS Spinning system With Spring loaded top arm

Our ARISER[®] ComFACT[™] Spinning is versatile and suitable for spinning following fibres,

1. 100% Cotton
2. 100% Viscose and Its blends
3. 100% Polyester and Its blends
4. Polyester / Viscose

- Can be applied to new machines by the OEM or retrofit to all types of ring spinning machines of renowned machine manufacturers
- Designed for all types of fibres and blends
- Works with spinning single yarns, two-ply yarns and core yarns
- Optimized and universally applicable spinning accessories and components
- Retrofit possible to most different types of top weighting arms of well-known suppliers
- Optional equipment for vacuum monitoring and control

Benefits of our ARISER[®] ComFACT[™] Spinning system: Knitting segments:

1. Minimum 10% higher production in spinning
2. Better Raw material utilization. Possible to save minimum 2% Raw material cost.
3. Comparatively better yarn with cheaper raw material. Possible to spin Ne 60/1 yarn with Ne 40/1 cotton.
4. Lower pilling rate
5. Most of the end users are using ARISER[®] ComFACT[™] yarn now days. Increased turn over with compact yarns when compared to conventional yarns.

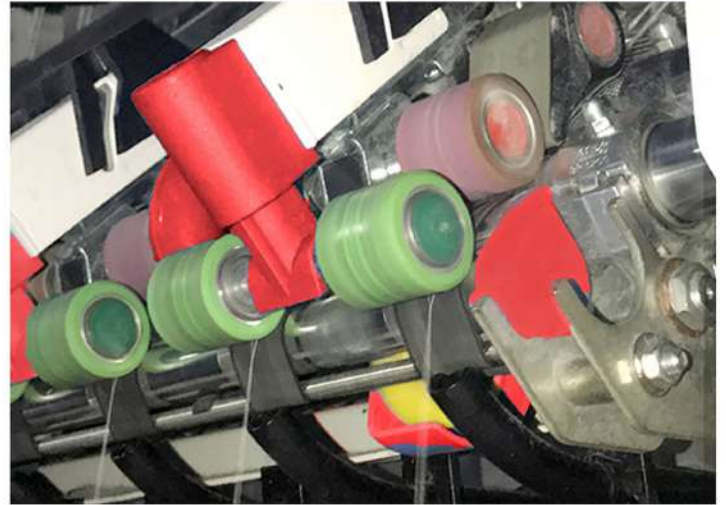
Weaving:

Warp yarn for shirting, sheeting are now necessarily ARISER[®] ComFACT[™] yarn Weavers prefer ARISER[®] ComFACT[™] yarn for high production in loom as compact yarn gives:

1. Higher efficiency on the looms – 40 % less warp end – breaks, 30% less weft end – breaks
2. Higher production – 10 to 15% higher
For eg : In air jet weaving, Ne 30, 500 – 600 m/minute weft insertion speed with conventional ring yarn, 700 – 800 m/ minute with ARISER[®] ComFACT[™] yarn.
3. Less singeing
4. Loom efficiency improves up to 10 %
5. Lowest pilling rate

MEC Shortstretch angle for **ARISER[®] ComFACT[™]**

- Reduces yarn touching the fourth roller after compacting to improve better Twist insertion
- Yarn stretch length reduced so that the Twist flow will be better and stable
- Reduced End breaks
- Improvement in Elongation and Strength of the Yarn.



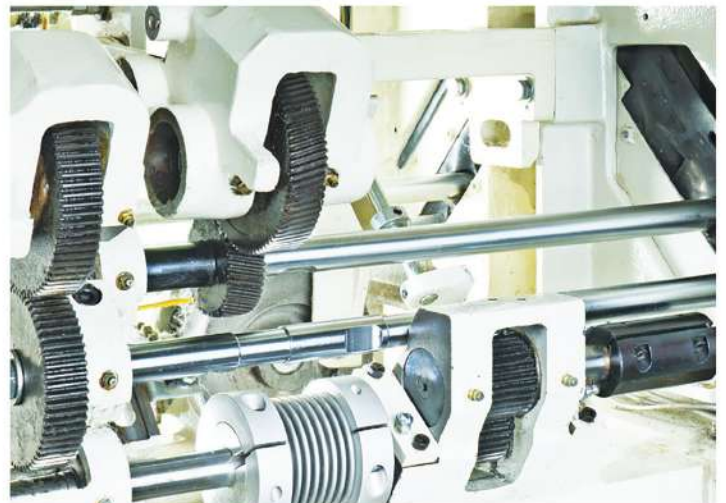
Central Suction Arrangement

- The machine has a stand-alone compact suction unit with inverter control arrangement. The suction pressure can be adjusted as per the requirement of process, count etc.,
- The specially designed fan impeller helps in consuming lesser power with consistent air flow.
- The suction arrangement can be mounted at HeadStock, End Stock, Wall and on the machine depending on the space availability and user requirements.



Drive arrangement with **SMART FLEX**

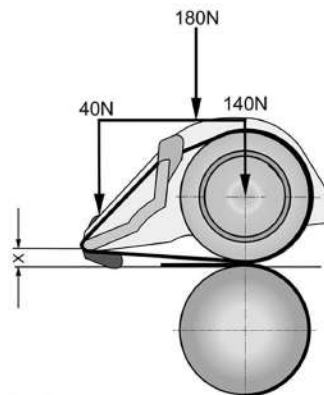
- The latest machines are equipped with strengthened drive system which supports smooth functioning of **ARISER[®] ComFACT[™]**. The older machines which require strengthened drive system can be retrofitted with technology-rich SMART FLEX.
- Compact bottom roller driven by front bottom roller through an idler gear for every eight spindles.
- Compact bottom roller along with control suction arrangement is detachable in every eight Spindles.
- Perforated apron is positive driven.
- No need to maintain diameter ratio of top drafting rollers.



ARISER TOP ARM

ADVANTAGES OF ARISER SPRING LOADED TOP ARM

-  Minimum 20 years working life
-  No periodic maintenance
-  No Compressed air consumption
-  Minimum 100 more CSP
-  10 to 15 % reduction in imperfections
-  Minimum 5 % more production due to less end breaks
-  Minimum load variation between top arms 1-2 Kgs
-  Easy handling and no fluff accumulation



ARISER TOP ROLLER

Ariser to rollers with antifriction bearing developed to suit ARISER TOP ARM series is characterized below

- Low Maintenance
- High load capacity
- Improved running characteristics
- Silent and smooth running performance

ARISER ACTIVE CRADLES

New concept with individual apron tensioning system ensured low friction and therefore gentle apron running, this is achieved by special surface structure.

Upto 40% of time can be saved as the aprons can be exchanged without removing entire aron unit.

KEY COMPONENTS OF ARISER COMPACT

INTERMEDIATE GEAR



- No disturbance on top armload given to other drafting rollers.
- Reduction in breakage level.
- Improvement in quality level (IPI & Classimat).

DIRECT LOADER



- Ideal gear with play adjusting provision for transmitting drive from front bottom roller to compact bottom roller.
- Loading of delivery roller through coil spring - Ensures uniform load distribution.
- Easy way of adjusting the load of delivery roller.

TOP SUCTION ELITUBE



- Specially coated aluminium nozzle for betterment of life.
- Best slot design for prolonged compacting.
- Different slot shapes optimize the yarn quality achievable in the coarse and fine yarn count range. The V-shaped slot is used for Saroyarn®.
- The special surface finish minimizes the friction between the suction tube and lattice apron and in doing so helps to extend the service life of the lattice aprons.



ARISER®

ComFACT™



Quality product from

MEC GROWTHS
TEXMACH PVT LTD

M : +91 94422 51520, 81229 98192

Email: mecgrowths@gmail.com

Arunachalaa Arcade,
33/36, TPK Road,
Madurai - 625 004.
Tamilnadu, India.

NO 61, East Nanjing Road,
Shangai 200 002, PR China.

Email : ariser.engg@gmail.com



www.ariser.in

MCI - TSUN South Road,
Taichung 406, Taiwan.

Email : sales.ariser@gmail.com